



Crisplay Manual Wall Screen

Manual spring retraction for wall or ceiling mounting



DESCRIPTION

Wall screens are great aids to share visual content and work in a collaborative way. They are ideal for meeting spaces and training facilities.

The manual retraction allows the screen to be used occasionally and rolled up after use to let the wall free. The housing design of this model accepts both wall and ceiling mounting. This versatility lets the product be installed in spaces with adorned walls, cupboards or other elements.

The matt white surface provides an optimal viewing experience.



SPRING
RETRACTION



WALL OR CEILING
MOUNTING



NO GLARE
SURFACE

Crisplay Manual Wall Screen

Manual spring retraction for wall or ceiling mounting

PRODUCT SPECIFICATIONS

Reference	SC87660	SC87661	SC87662	SC87663	SC87664	SC87685	SC87680	SC87681	SC87682	SC87683
Size (cm)	160x160	180x180	200x200	240x240	300x300	160x129	180x144	200x159	220x174	240x189
Viewing Angle	120°									
Format	1:1	1:1	1:1	1:1	1:1	4:3	4:3	4:3	4:3	4:3
Black Borders	Yes									
Black Rear	Yes									
Fabric Weight/m ²	300g									
Fabric Thickness	0,35 mm									
Lift Mechanism	Manual									
Mounting	Wall and Ceiling									
Carrying Bag	Not included									
Weight	6 Kg	7 Kg	9 Kg	13 Kg	16 Kg	6 Kg	7 Kg	9 Kg	10 Kg	11 Kg

Reference	SC87684	SC87700	SC87701	SC87702	SC87703	SC87704	SC87741	SC87742	SC87743	SC87744
Size (cm)	300x233	160x130	180x141	200x152	240x175	300x208	180x141	200x154	240x189	300x226
Viewing Angle	120°									
Format	4:3	16:9	16:9	16:9	16:9	16:9	16:10	16:10	16:10	16:10
Black Borders	Yes									
Black Rear	Yes									
Fabric Weight/m ²	300g									
Fabric Thickness	0,35 mm									
Lift Mechanism	Manual									
Mounting	Wall and Ceiling									
Carrying Bag	Not included									
Weight	16 Kg	6 Kg	7 Kg	8 Kg	10 Kg	16 Kg	7 Kg	9 Kg	11 Kg	16 Kg

Crisplay Manual Wall Screen

Manual spring retraction for wall or ceiling mounting

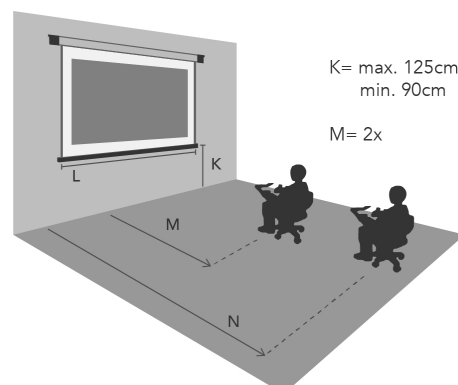
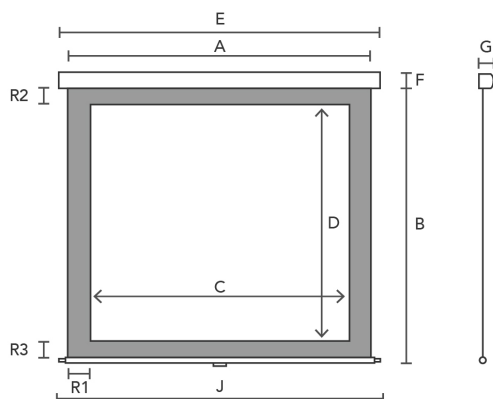
SCREEN SIZE

Measures	A (cm)	B (cm)	C (cm)	D (cm)	R1 (cm)	R2 (cm)	R3 (cm)	E (cm)	F (cm)	G (cm)	J (cm)
SC87660	160	160	156	156	2	2	2	175	6.8	6.8	165
SC87661	180	180	176	176	2	2	2	195	6.8	6.8	185
SC87662	200	200	196	196	2	2	2	215	6.8	6.8	205
SC87663	240	240	236	236	2	2	2	255	6.8	6.8	245
SC87664	300	300	292	292	4	4	4	315	8.9	8.9	305
SC87685	160	129	156	117	2	10	2	175	6.8	6.8	165
SC87680	180	144	176	132	2	10	2	195	6.8	6.8	185
SC87681	200	159	196	147	2	10	2	215	6.8	6.8	205
SC87682	220	174	216	162	2	10	2	235	6.8	6.8	225
SC87683	240	189	236	177	2	10	2	255	6.8	6.8	245
SC87684	300	233	292	219	4	10	4	315	8.9	8.9	305
SC87700	160	130	156	88	2	40	2	175	6.8	6.8	165
SC87701	180	141	176	99	2	40	2	195	6.8	6.8	185
SC87702	200	152	196	110	2	40	2	215	6.8	6.8	205
SC87703	240	175	236	133	2	40	2	255	6.8	6.8	245
SC87704	300	208	292	164	4	40	4	315	8.9	8.9	305
SC87741	180	141	174	108	3	30	3	195	6.8	6.8	185
SC87742	200	154	194	121	3	30	3	215	6.8	6.8	205
SC87743	240	179	234	146	3	30	3	255	6.8	6.8	245
SC87744	300	226	290	181	5	40	5	315	8.9	8.9	305

Select Screen Size

Screen size depends on the projection room and seating arrangement. Ideally, the following criteria are considered:

- The screen width (L) should amount to at least half the distance between screen and first row of seating (M) (example: With 4 meters between the first row and screen, the minimum screen width is 2 meters).
- The distance between the screen and the last row of seating (N) should not be larger than 6 times the screen width (L) (example: With a screen width of 2 meters, the last row should be at 12 meters as a maximum).
- The distance between the floor and bottom edge of screen (K) is 90 cm, preferably 125 cm for row seating.



K= max. 125cm
min. 90cm

M= 2x

Crisplay Manual Wall Screen

Manual spring retraction for wall or ceiling mounting

CLEANING AND MAINTENANCE

Cleaning and Maintenance

Frequent use of a screen requires appropriate care. All screens can be cleaned with carefully applied weak soapsuds. When not in use, the screens should be retracted to their casing to protect them against depositing dust. Avoid touching the screen fabric with bare hands since, in the course of time, dust will stick better to the (greasy) imprints than on clean spots.

Cleaning in 5 easy steps:

Step 1: Use a new dry microfiber cloth and gently wipe the screen. Do not scrub!

Step 2: Make a mixture of 95% warm water and 5% dish soap.

Step 3: Moisten the microfiber cloth without soaking it.

Step 4: Gently clean the screen using the wet microfiber cloth. Apply light pressure and rub the screen side to side.

Step 5: When it is clean, use a dry cloth or towel on the surface to absorb any remaining moisture.

OTHER IMAGES

